

# What is Playpen ?

*Enclosure in which a baby or young child may play*

<http://playpen.ie.cuhk.edu.hk>



# Objectives of Playpen

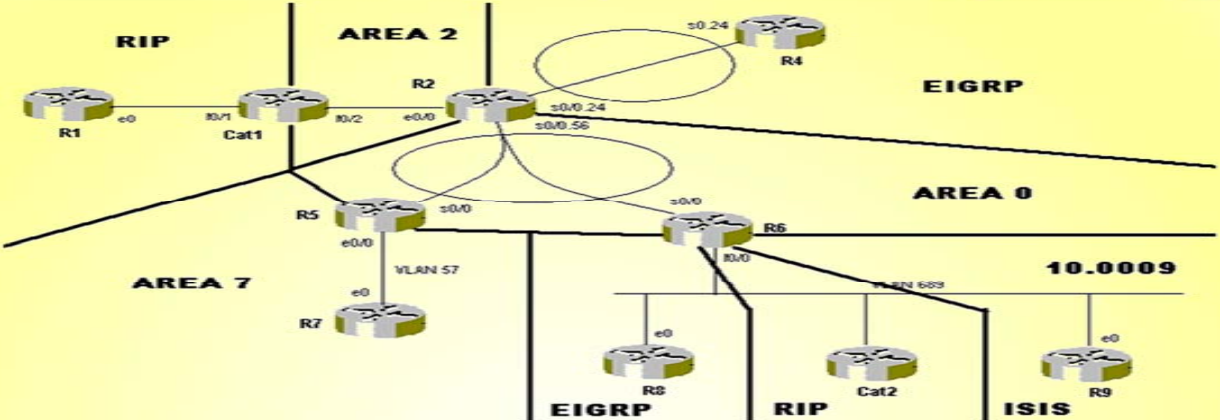
- Let students have the hand on experiment of managing a network
- Provide some useful Internet services for their community
- Provide a playground to test and develop students work
- Provide a platform for students to try some experiments that they cannot try on original lab or production network

# Past Activities in Playpen

1. 3-Days Linux workshop
2. Firewall seminar
3. HoneyNet project seminar
4. Super Worm seminar
5. Next attack in Internet seminar
6. Worm Analysis seminar
7. Academic Networks in Asia seminar
8. Open day showcase demo project in 2002 and 2003
9. Web Portal project  
(<http://playpen.ie.cuhk.edu.hk>)  
(now in production and is still actively under enhancement)
10. Playpen network infrastructure enhancement
11. Game server project
12. PPTP based VPN using Window server project
13. Window server project
14. Access grid testing project
15. Simple video streaming testing project
16. System reborn card testing project
17. Library System
18. Buffer Overflow workshop
19. Computer Networking workshop
20. Phishing Seminar
21. Self learn Cisco equipment kit  
<https://www.ie.cuhk.edu.hk/rack2/>

# Internetwork Expert Lab Setting


**IE Playpen 訊息工程自學天地**  
**The Internetwork Expert Training Center**




```

R6#sh ip route
Codes: C - connected, S - static, I - IGRP, R - RIP, M - mobile, B - BGP
       D - EIGRP, EX - EIGRP external, O - OSPF, IA - OSPF inter area
       N1 - OSPF NSSA external type 1, N2 - OSPF NSSA external type 2
       E1 - OSPF external type 1, E2 - OSPF external type 2, E - EGP
       i - IS-IS, L1 - IS-IS level-1, L2 - IS-IS level-2, ia - IS-IS inter area
       * - candidate default, U - per-user static route, o - ODR
       P - periodic downloaded static route

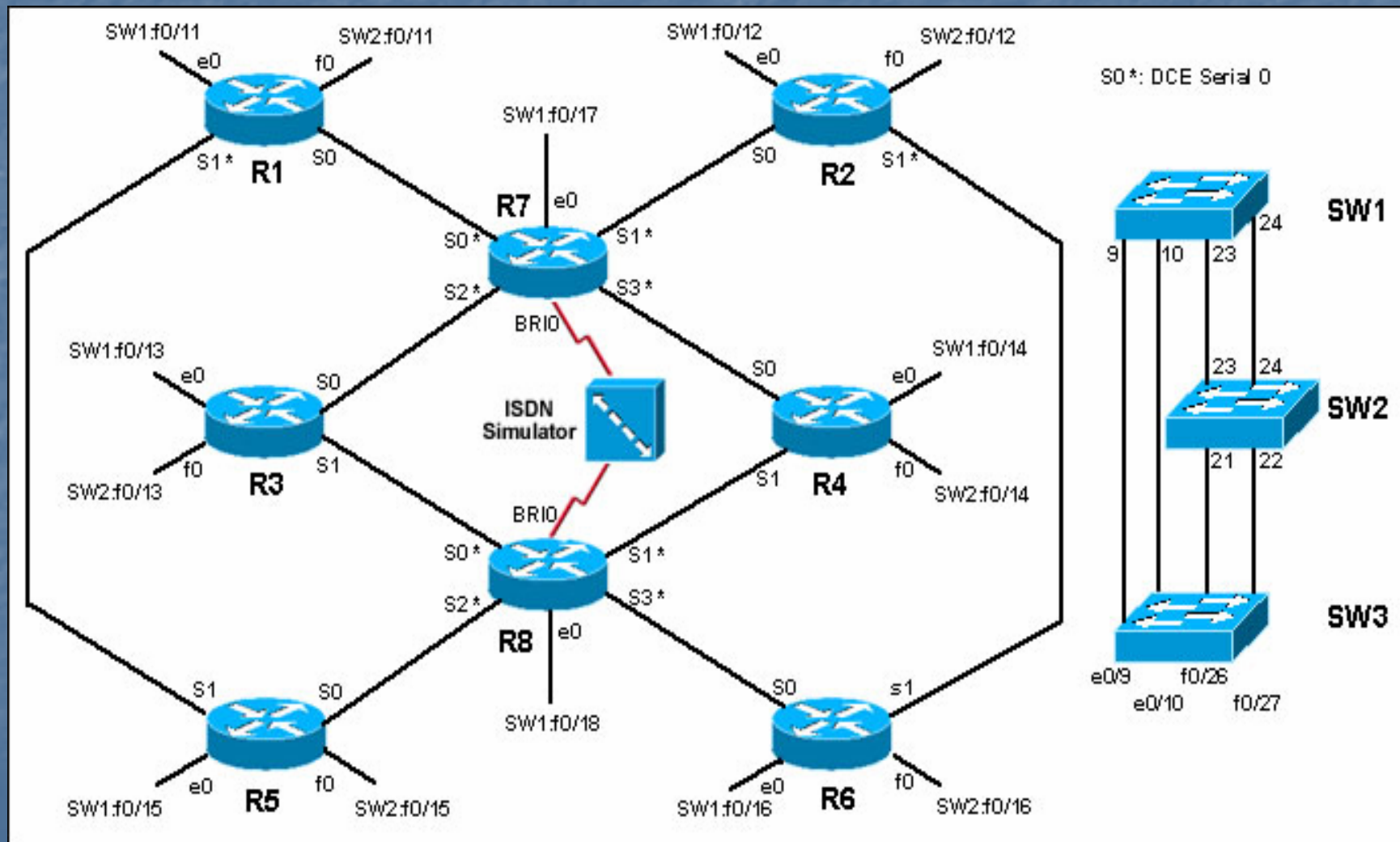
Gateway of last resort is not set

O E2 141.1.0.0/24 is subnetted, 1 subnets
     141.1.1.0 [110/20] via 135.1.56.2, 01:03:37, Serial0/0
O E2 142.1.0.0/24 is subnetted, 1 subnets
     142.1.1.0 [110/20] via 135.1.56.2, 01:03:37, Serial0/0
O E1 143.1.0.0/24 is subnetted, 1 subnets
     143.1.14.0 [110/1498] via 135.1.56.2, 01:03:37, Serial0/0
O E2 145.1.0.0/24 is subnetted, 1 subnets
     145.1.4.0 [110/20] via 135.1.56.2, 01:03:37, Serial0/0
O E1 144.1.0.0/24 is subnetted, 1 subnets
     144.1.14.0 [110/1498] via 135.1.56.2, 01:03:38, Serial0/0
O E2 147.1.0.0/24 is subnetted, 1 subnets
     147.1.4.0 [110/20] via 135.1.56.2, 01:03:38, Serial0/0
O E2 146.1.0.0/24 is subnetted, 1 subnets
     146.1.4.0 [110/20] via 135.1.56.2, 01:03:38, Serial0/0
i L2 149.1.0.0/24 is subnetted, 1 subnets
     149.1.9.0 [115/10] via 135.1.89.9, FastEthernet0/0
O E2 148.1.0.0/24 is subnetted, 1 subnets
     148.1.4.0 [110/20] via 135.1.56.2, 01:03:38, Serial0/0
O E2 150.1.0.0/24 is subnetted, 1 subnets
     150.1.9.0 [115/10] via 135.1.89.9, FastEthernet0/0
O IA 135.1.0.0/24 is subnetted, 15 subnets
     C 135.1.6.0 is directly connected, Loopback0
     O IA 135.1.7.0 [110/1399] via 135.1.56.5, 01:03:38, Serial0/0
     O E2 135.1.4.0 [110/20] via 135.1.56.2, 01:03:38, Serial0/0
     O 135.1.2.0 [110/1389] via 135.1.56.5, 01:03:38, Serial0/0
     O 135.1.2.0 [110/1389] via 135.1.56.2, 01:03:38, Serial0/0
     O E2 135.1.1.0 [110/20] via 135.1.56.2, 01:03:38, Serial0/0
     O IA 135.1.14.0 [110/1399] via 135.1.56.2, 01:03:38, Serial0/0
     R 135.1.15.0 [120/1] via 135.1.89.15, 00:00:26, FastEthernet0/0
     D 135.1.8.0 [90/156160] via 135.1.89.8, 01:53:04, FastEthernet0/0
     i L1 135.1.9.0 [115/10] via 135.1.89.9, FastEthernet0/0
     O E2 135.1.24.0 [110/20] via 135.1.56.2, 01:03:39, Serial0/0
     C 135.1.56.0 is directly connected, Serial0/0
     O IA 135.1.57.0 [110/1398] via 135.1.56.5, 01:03:39, Serial0/0
     C 135.1.89.0 is directly connected, FastEthernet0/0
R6#
    
```

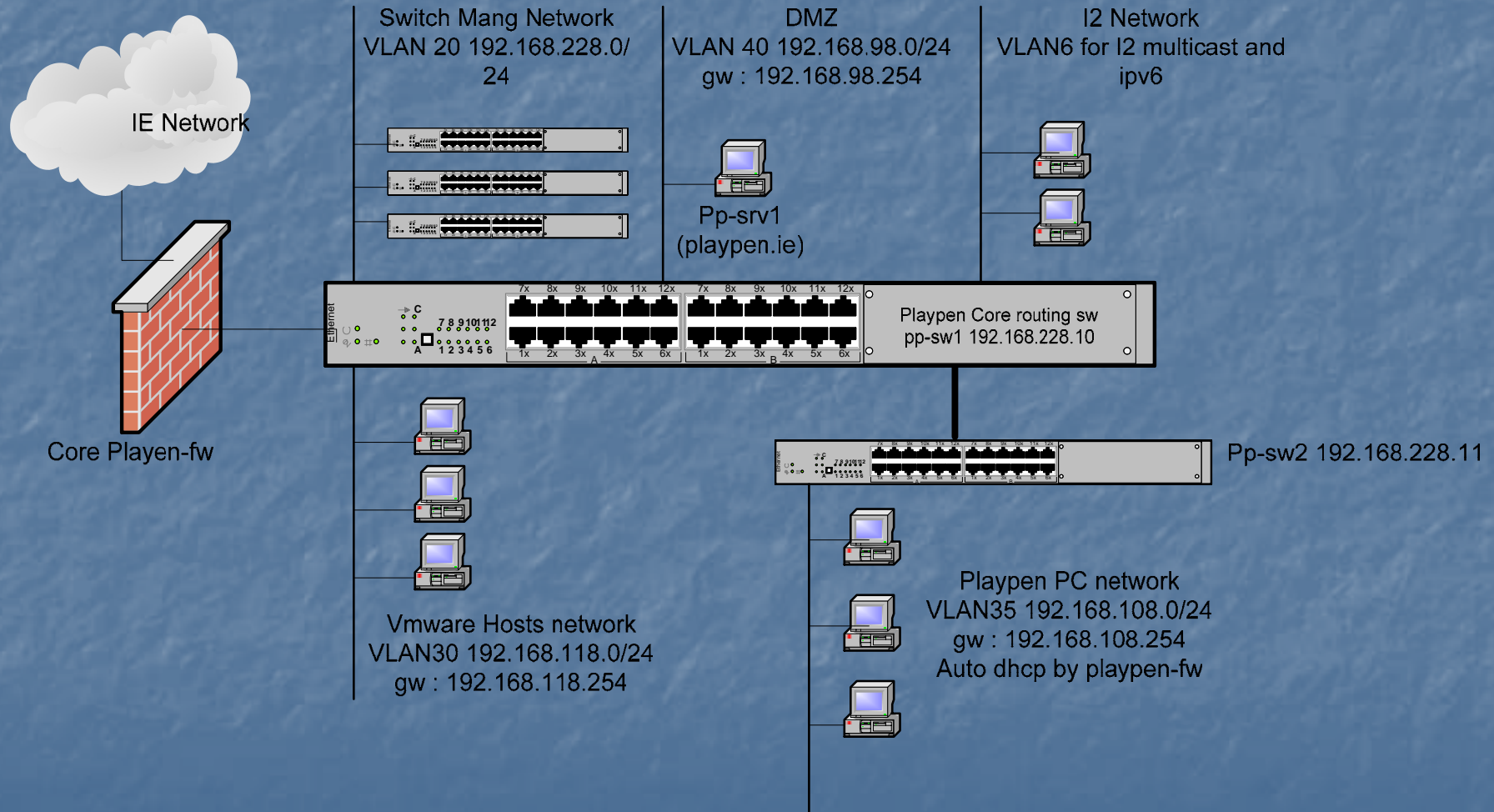
# Equipment in Playpen

- Over 15 PC
- Over 5 servers which can emulate over 80 virtual hosts
- Over 26 Routers (2500, 2600, 1721, 7513)
- Over 5 switches (2900, 3500, LS1010)
- ISDN equipment
- Other different OS and machines (Solaris, Linux, Iris... etc)

# Self learn Cisco equipment kit



# IE Playpen Network Diagram



# How to Join Playpen

1. Just follow the following procedure to subscribe the playpen mailing list. 1. Use your UNIX account (i.e. @ie.cuhk.edu.hk or @ine.cuhk.edu.hk) to send mail to [Majordomo@listserv.erg.cuhk.edu.hk](mailto:Majordomo@listserv.erg.cuhk.edu.hk) with the following line in the mail body

**subscribe playpen**

You may use webmail to send the mail

2. Reply the confirm mail accordingly to finish the mailing list subscription.